

247520 Rupture Disk Assembly Kit

312416A

Install in Electric Reactor[®] Heater Inlet Manifold to Prevent Overpressurization.



Important Safety Instructions

Read all warnings and instructions in Reactor Operation and Repair manuals. Save those instructions.



To convert earlier style electric Reactor heaters, which do not have rupture disk assemblies, order two 247520 kits.

4. Remove back heater cover (C). See FIG. 1.



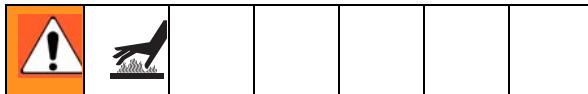
Use a drop cloth or rags to protect Reactor and surrounding area from spills.

5. Remove old assembly from heater inlet manifold (M). See FIG. 2.

Disassembly

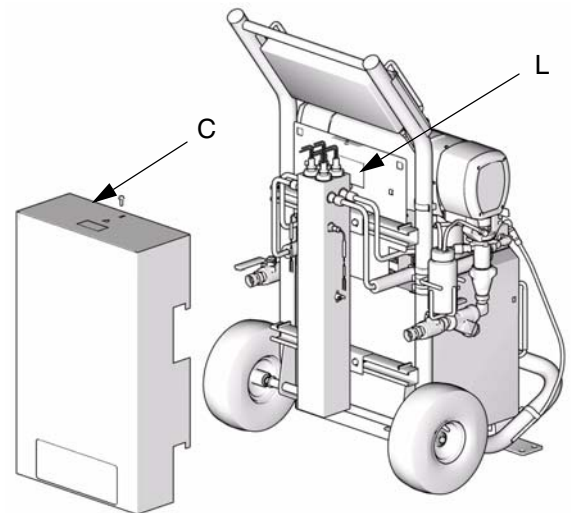
1. Turn main power off . Disconnect power supply.

2. Relieve pressure. Refer to Reactor operation manual.



Read warnings in Reactor operation and repair manuals. To avoid severe burns, wait for heaters and fluid to cool before installing kit.

3. Wait for heater and fluid to cool.



ti11198a

FIG. 1



PROVEN QUALITY. LEADING TECHNOLOGY.

Assembly


CAUTION

Using a wrench on the rupture disk red housing can cause damage, resulting in lower rupture pressure. To tighten the rupture disk assembly (D), use a wrench on the hex. Do not use a wrench on the red housing.

1. See FIG. 2. Install as shown for applicable heater. Orient fittings so exhaust hole is facing down. Use a backup wrench to hold fitting in place while tightening.

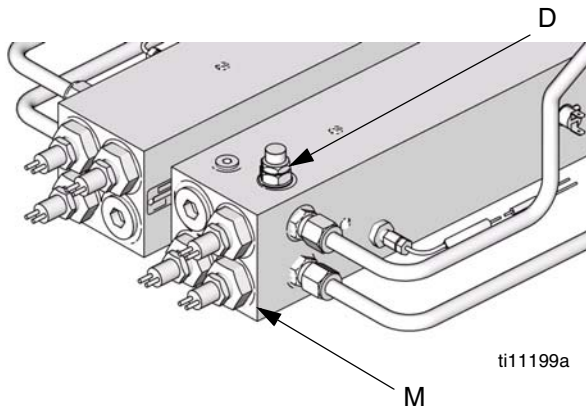
						
To avoid severe burns, do not operate Reactor with heater cover (C) removed.						

2. Apply warning label 171001 (L) to front heater cover, facing rear of Reactor. See FIG. 1.

 Replacement warning labels are available at no cost.

3. Reinstall back heater cover (C). Return Reactor to service.

247509 Heaters



255236, 255237, 255238 Heaters

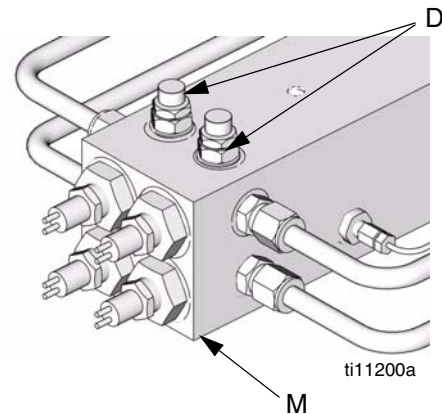


FIG. 2

All written and visual data contained in this document reflects the latest product information available at the time of publication. Graco reserves the right to make changes at any time without notice.

This manual contains English. MM 312416A

Graco Headquarters: Minneapolis
International Offices: Belgium, China, Japan, Korea

GRACO INC. P.O. BOX 1441 MINNEAPOLIS, MN 55440-1441

www.graco.com

10/2007